



PANEL DESCRIPTION



ON / OFF	ON / OFF BUTTON KEY: Power on/off button key. It is also used to enter each parameter level for setting. OFF BUTTON KEY: Is used to stop/halt output. Screen display "OFF", flashing together with the current temperature value alternately. ON BUTTON KEY: Output ON. Display SV temperature (flashing) first, then in a few seconds it will display the current temperature after.
TEMPERATURE KEY SETTING TIMER KEY SETTING UP / DOWN KEY	UP KEY: Is used to increment set value. DOWN KEY: Is used to decrement set value.
TIMER BUTTON KEY	Use to run and stop timer after setting.
STEAM BUTTON KEY	Use to activate and deactivate steam.
OUTPUT INDICATOR	LED ON: OUTPUT ON LED OFF: OUTPUT OFF

- * Whether the power had directly applied or by pressing the ON/OFF power button, the screen will display the set temperature value (flashing) first, then to be followed by the current temperature value.
- * Regardless of what parameter level you are in, if left idle within 5 secs, the display will automatically return to its original operation mode.

PARAMETER DESCRIPTION LIST AND SETTING:

A. FOR TEMPERATURE CONTROL PARAMETER

(PRESS AND HOLD ON/OFF BUTTON FOR 5 SECS TO ENTER EACH PARAMETER LEVEL)

CODE	DESCRIPTION	SETTING RANGE	UNIT	DEFAULT VALUE	REMARKS	
LEVEL 1	R1	ALARM1 SET VALUE	L _o L-H _i L	°C	10	R1F IF SET NO, NO DISPLAY
	R2	ALARM2 SET VALUE	L _o L-H _i L	°C	20	R2F IF SET NO, NO DISPLAY
LEVEL 2 (PRESS AND HOLD ON/OFF BUTTON FOR 5 SECS)	P	PROPORTIONAL BAND	0~100	%	0	BECOMES ON/OFF CONTROL IF P=0
	CT	CYCLE TIME	0~100	SEC.	RELAY = 10 SEC SSR = 2 SEC SCR = 0 SEC	PARAMETER NOT AVAILABLE IF P=0
	HYS	HYSTERESIS	0~50%FS	°C	2	AVAILABLE IF P=0
	P _{VO}	PV OFFSET	-99~50%FS	°C	0	
	S _{PO}	SV OFFSET	-99~50%FS	°C	0	
	on	ON/OFF SETTING MODE	1、2、3、4、5		1	REFER TO NOTE (1) - ON/OFF MODE SETTING DESC.
	t _{on}	TIME-ON SELECTION	oFF、1~300		oFF	REFER TO NOTE (2) - SETTING t _{on} VALUE
	t _{Ed}	TIME-END SELECTION	oFF、on		oFF	IF t _{Ed} = on, OUTPUT TURNS OFF AUTOMATICALLY.
LEVEL 3 (PRESS AND HOLD ON/OFF BUTTON FOR 5 SECS)	db	-	-50~50		0	SETTING NOT AVAILABLE
	t _{YP}	INPUT SELECTION TYPE	K、J	type	K	
	L _o L	LOWEST TEMP. SETTING LIMIT	0~SV	°C	0	
	H _i L	HIGHEST TEMP. SETTING LIMIT	SV~400	°C	400	
	F _i L	FILTER SETTING	0~100		2	
	R _{CT}	CONTROL ACTION SETTING	H/ε		H	H: HEATING ε: COOLING
	t _{d1}	SV LOOP DISPLAY SETTING	0、5、10、30、60	SEC.	0	
	t _{d2}	ALARM DELAY TIME SETTING	0~100	SEC.	0	
	R1F	ALARM1 MODE SETTING	no、H、L _o 、dFH、dFL		no	REFER TO NOTE (3) - ALARM OUTPUT TYPES
	R2F	ALARM2 MODE SETTING	no、H、L _o 、dFH、dFL		no	REFER TO NOTE (3) - ALARM OUTPUT TYPES
	R1Y	ALARM1 HYSTERESIS SETTING	0~R1	°C	1	
	R2Y	ALARM2 HYSTERESIS SETTING	0~R2	°C	1	
	CH	4-20mA OUTPUT HIGHEST SETTING	0~500		470	ONLY APPEARS WHEN CT=0
	CL	4-20mA OUTPUT LOWEST SETTING	0~500		90	ONLY APPEARS WHEN CT=0
uEr	VERSION					

B. EXPLANATORY NOTE:

NOTE (1): ON/OFF MODE SETTING DESCRIPTION:

CODE	MODE DESCRIPTION	SCREEN DISPLAY
1	OUTPUT STOP, ALARM OFF	"OFF"
2	OUTPUT STOP, ALARM ON	"OFF"
3	OUTPUT STOP, ALARM OFF	ALL OFF NO DISPLAY
4	POWER ON: OUTPUT STOP, ALARM OFF	SCREEN DISPLAYS "OFF" WHEN POWER ON
5	POWER ON: OUTPUT STOP, ALARM OFF	DECIMAL POINT LIT ON

NOTE (2): Setting the value range for t_{on}

It refers to the difference between the display temperature value and the setpoint value.
For instance:
SV = 100
t_{on} = 1
It indicates that once the temperature reaches 99 degrees celcius, the controller timer will start automatically.

NOTE (3): ALARM OUTPUT TYPES ILLUSTRATION:
(A1F AS EXAMPLE)

CODE	DESCRIPTION TYPE	ILLUSTRATION
no	NO ALARM	NONE
H _i	ABSOLUTE VALUE UPPER LIMIT	
L _o	ABSOLUTE VALUE LOWER LIMIT	
dFH	DEVIATION UPPER LIMIT	
dFL	DEVIATION LOWER LIMIT	

C. FOR TIMER PARAMETER

(PRESS AND HOLD RUN/STOP BUTTON FOR 5 SECS TO ENTER EACH PARAMETER LEVEL)

CODE	DESCRIPTION	SETTING RANGE	UNIT	DEFAULT VALUE	REMARKS
LEVEL 1	Unit	HH.n、nn.n、555	H: Hour n: Min 5: Sec	nn.n	10 MINUTES
	REL	R.b	-	R	OUTPUT CONTACT T1
	oUt	oFF	-	oFF	SETTING NOT AVAILABLE
	5U1	0	SEC	0	SETTING NOT AVAILABLE
	5U2	0~999	SEC	3	OUTPUT CONTACT RL2

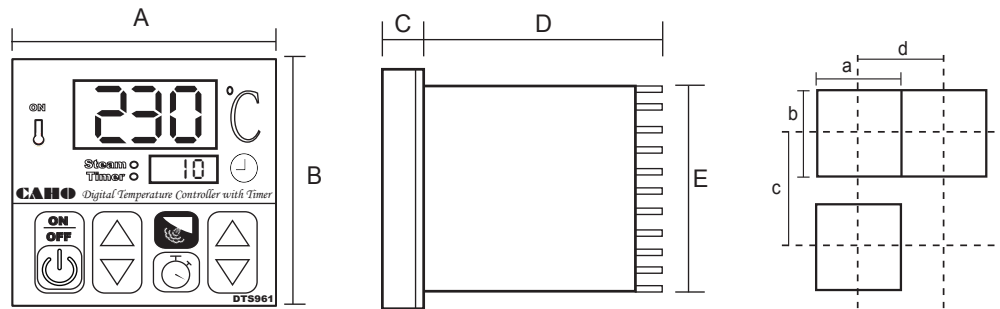
SPECIAL CHARACTER GUIDE

A	B	C	D	E	F	G	H	I	J	K	L	M
R	b	c	d	E	F	G	H	,	J	k	L	n
N	O	P	Q	R	S	T	U	V	W	X	Y	Z
n	o	P	q	r	S	t	U	u	v	W	y	≡

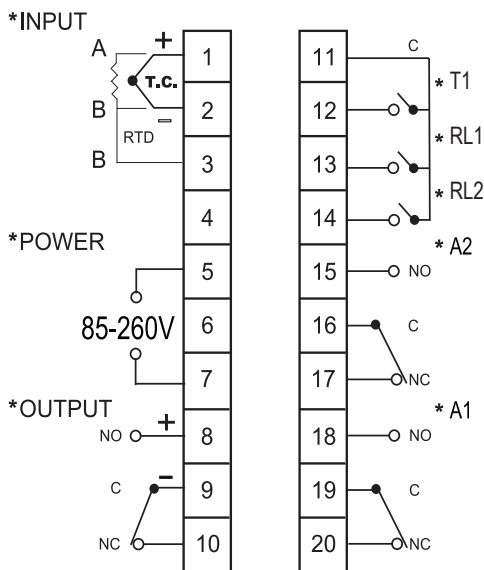
DIMENSION

PANEL CUT-OUT 91*91mm (Unit: mm)

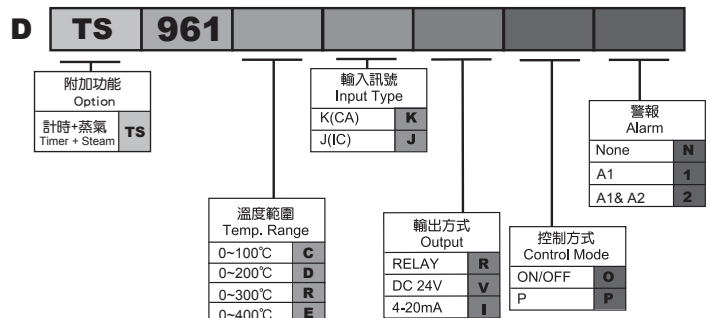
MODEL	A	B	C	D	E	a	b	c	d
DTS961	96	96	12	92	90	91 ^{+0.5} ₀	91 ^{+0.5} ₀	120	110



WIRING DIAGRAM



ORDERING CODE



- Note :
1. Relay output - suitable for ON/OFF or P control mode.
 2. S.S.R. output - suitable for ON/OFF or P control mode.
 3. 4-20mA output - suitable for P control mode only.
 4. Alarm output : Absolute (upper/lower) limit , deviation (upper/lower) limit.